



LS-110



LS-80



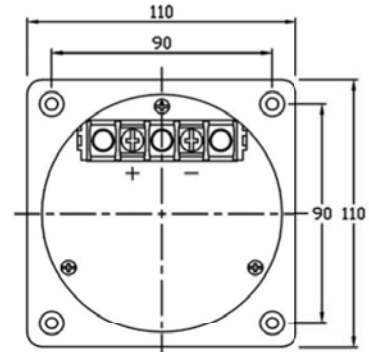
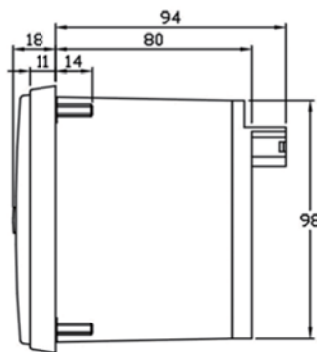
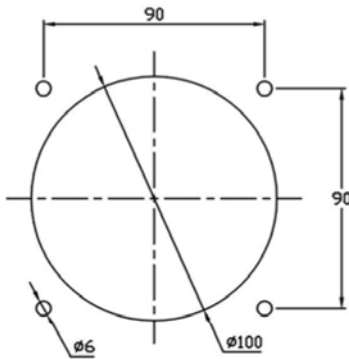
File No. E205138
Project No. 00CA03127



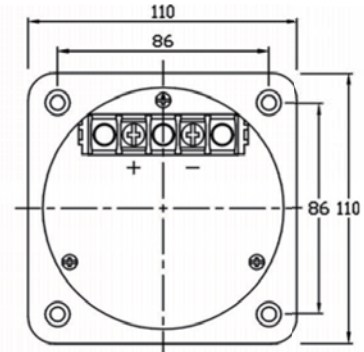
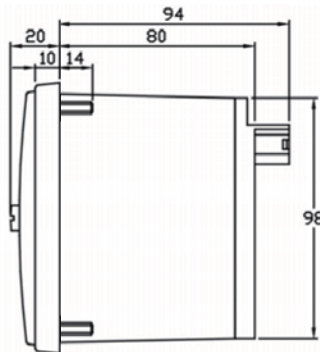
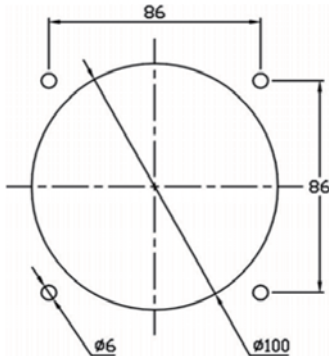
File No. E205138
Project No. 00CA06290

- 寬廣的刻度版和指針，容易在較遠距離判讀
- 指針指示最大角度： 250°
- 刻度長： 183 公厘
- 材質與顏色： 上蓋：壓克力(Acrylic)透明
中套：塑膠(Plastic)灰色
極插座及底：電木((Bakelite)黑色
- 指針： 劍形，黑色

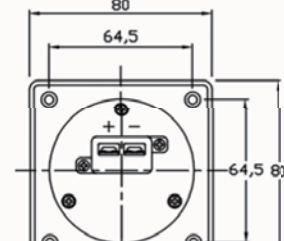
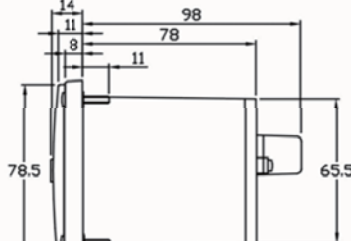
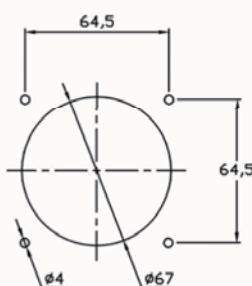
LS-110-J







LS-110-A




LS-80



整流型 (LS-110 LS-80)

名稱	說明	等級	安規
交流電流表 (AC Ammeter)	<p>●規格</p> <p>0-5 A</p>	<p>●延長型 (0-X-2X) 0-5-10 A</p>	<p>負載</p> <p>1.5</p> 
	<p>搭配 CT</p> <p>CT 比例</p> <p>10/5</p> <p>15/5</p> <p>20/5</p> <p>25/5</p> <p>30/5</p> <p>50/5</p> <p>60/5</p> <p>75/5</p> <p>100/5</p> <p>150/5</p> <p>200/5</p> <p>300/5</p> <p>500/5</p> <p>750/5</p> <p>1000/5</p> <p>1500/5</p> <p>2000/5</p> <p>3000/5</p>	<p>●規格</p> <p>0-10 A</p> <p>0-15 A</p> <p>0-20 A</p> <p>0-25 A</p> <p>0-30 A</p> <p>0-50 A</p> <p>0-60 A</p> <p>0-75 A</p> <p>0-100 A</p> <p>0-150 A</p> <p>0-200 A</p> <p>0-300 A</p> <p>0-500 A</p> <p>0-750 A</p> <p>0-1000 A</p> <p>0-1500 A</p> <p>0-2000 A</p> <p>0-3000 A</p>	<p>●延長型 (0-X-2X) 0-10-20 A</p> <p>●延長型 0-X-3X 0-X-5X 可設計為負載 1VA</p> <p>1.5</p> 
交流電壓表 (AC Voltmeter)	<p>直接式</p> <p>●規格</p> <p>0-10 V</p> <p>0-50 V</p> <p>0-75 V</p> <p>0-100 V</p>	<p>0-150 V</p> <p>0-300 V</p> <p>0-500 V</p> <p>0-600 V</p>	<p>負載:1 VA</p> <p>1.5</p> 
	<p>For connection to PT</p> <p>PT 比例</p> <p>220/110 V</p> <p>440/110 V</p> <p>3300/110 V</p> <p>6600/110 V</p> <p>13200/110 V</p> <p>22000/110 V</p> <p>30000/110 V</p>	<p>●規格</p> <p>0-300 V</p> <p>0-600 V</p> <p>0-4.5 kV</p> <p>0-9 kV</p> <p>0-18 kV</p> <p>0-30 kV</p> <p>0-45 kV</p>	<p>PT 比:Y/110 (Y: PT 初級電壓) 量測範圍:0-1.5/1.1 × Y</p> <p>負載:0.5 VA</p> <p>1.5</p> 

動圈軸心式 (LS-110 LS-80)

名稱	說明	等級	安規
直流電流表 (DC Ammeter)	<p>直接式</p> <p>●規格</p> <p>0-1 mA</p> <p>0-1.5 mA</p> <p>0-2 mA</p> <p>0-3 mA</p> <p>0-5 mA</p> <p>0-7.5 mA</p> <p>0-10 mA</p>	<p>0-20 mA</p> <p>0-40 mA</p> <p>0-50 mA</p> <p>0-70 mA</p> <p>0-100 mA</p> <p>0-150 mA</p> <p>0-200 mA</p>	<p>0-1 A</p> <p>0-1.5 A</p> <p>0-2 A</p> <p>0-3 A</p> <p>0-5 A</p> <p>0-7.5 A</p> <p>0-10 A</p> <p>內阻: 500Ω</p> <p>1.5</p> 

	0-15 mA 0-20 mA 0-30 mA	0-300 mA 0-500 mA 0-750 mA	0-15 A 0-20 A			
	搭配分流器 ●規格 0-1 A 0-15 A 0-7.5 A 0-20 A 0-10 A			負載：50 mV	1.5	
直流電壓表 (DC Voltmeter)	直接式 ●規格 0-10 V 0-150 V 0-30 V 0-300 V 0-50 V 0-500 V 0-75 V 0-600 V 0-100 V			負載:1 V/1 KΩ	1.5	

- 超過 20A DC 的規格，需要外附 50mV 表頭的分流器
- 超過 300V DC 的規格，需要外附 1mA,表頭的倍增器
- 超過 5A AC 的規格，需要外附 5A AC 表頭的比流器
- 超過 600V AC 的規格, 需要外附 150V AC 表頭的比壓器

頻率表(赫茲表)

頻率表 (Frequency Meter)	45-65 Hz 110 V 45-65 Hz 220 V 55-65 Hz 110 V 55-65 Hz 220 V		負載：1.4 VA at 110 V : 2.6 VA at 220 V	1.5	
--------------------------	--	--	---	-----	--

瓦特表(LS-110)

單相瓦特表 (Single-Phase Wattmeter)	●規格 110 V 1 A 220 V 5 A 10 A			1.5	
三相瓦特表 (3-Phase Wattmeter)	●規格 110 V 5 A 220 V			1.5	

功率因數表(LS-110)

三相平衡電路 (3-Phase For Balanced Circuit) (LS-110)	●規格 110 V 5 A 220 V			1.5	
三相四線 (3-Phase 4-Wire) (LS-110)	●規格 110 V/ 190 V/ 380 V/	5 A		5.0	

※特殊規格可以另行設計訂製



STANDARD

Wide Angle Scale Instrument



CE

LS-110



File No. E205138
Project No. 00CA03127



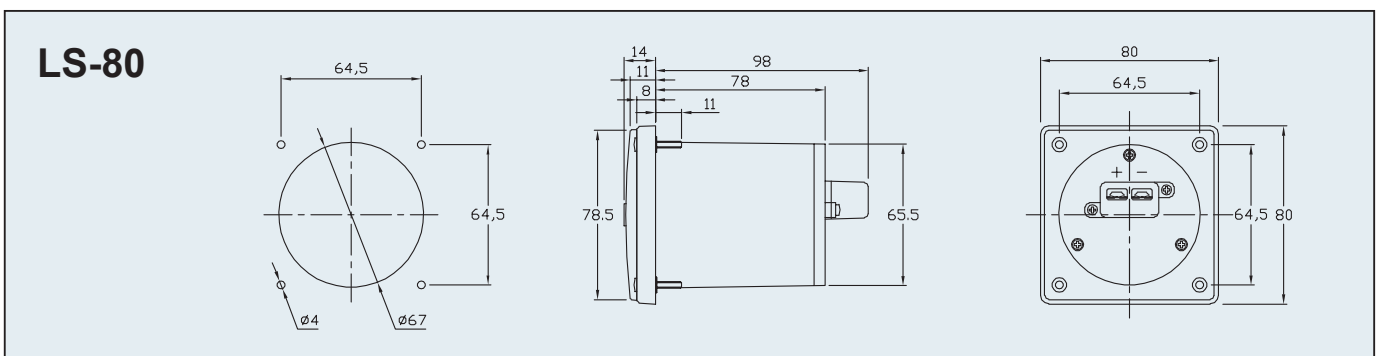
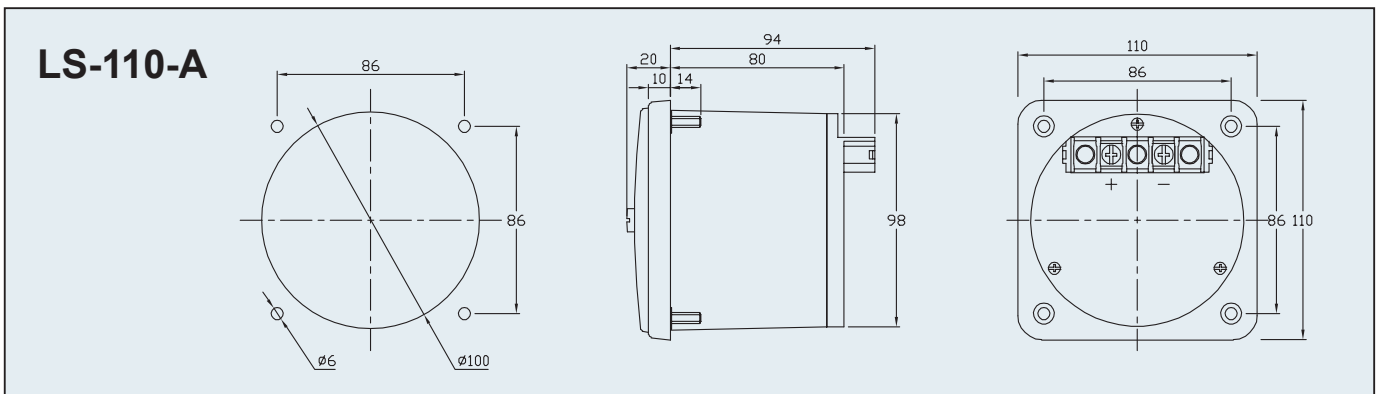
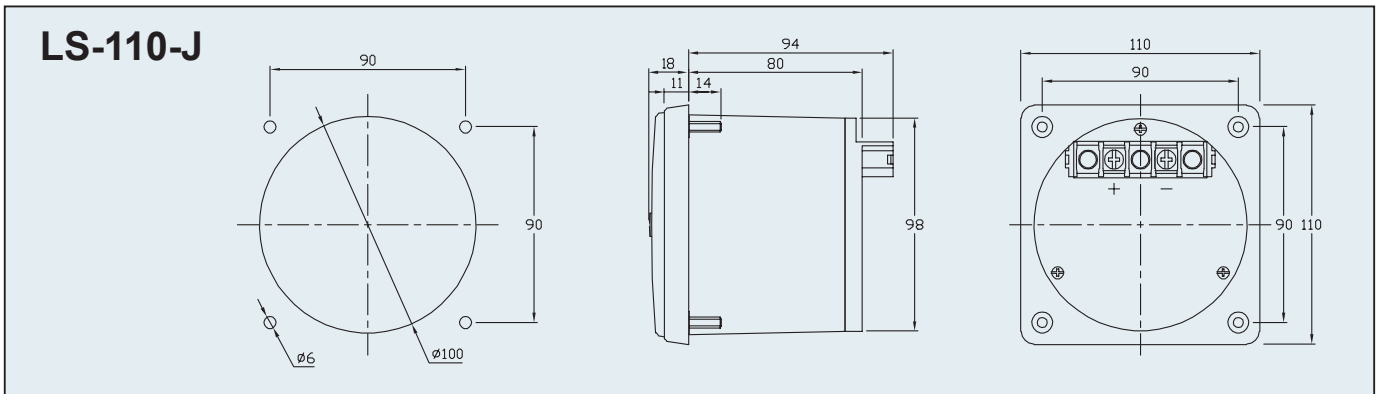
CE

LS-80



File No. E205138
Project No. 00CA06290

- Easy to read long-scales and pointer-indications can easily be read from a distance.
- Full Scale Deflection : 250°
- Accuracy : Class 1.5
- Length : 183mm
- Case And Composition : Acrylic Resin cover, plastic body and terminal, Four studs mounting.
- Color : White scale plate, black terminal plate, gray meter body.
- Pointer : Sword-type in black color.





STANDARD

Wide Angle Scale Instrument

Rectifier Type (LS-110 LS-80)

Meter	Description	class	Safety Standard	
AC Ammeter	<ul style="list-style-type: none"> Measuring range Extended range type (0-X-2X) Burden:1 VA	1.5		
	0-5 A 0-5-10 A			
	For connection CT			
	CT ratio	<ul style="list-style-type: none"> Measuring range Extended range type (0-X-2X) Extended range type Burden:1 VA	1.5	
	10/5 0-10 A 0-10-20 A 0-X-3X			
	15/5 0-15 A 0-15-30 A 0-X-5X			
	20/5 0-20 A 0-20-40 A Available on request			
	25/5 0-25 A 0-25-50 A Burden:1 VA			
	30/5 0-30 A 0-30-60 A			
	50/5 0-50 A 0-50-100 A			
	60/5 0-60 A 0-60-120 A			
	75/5 0-75 A 0-75-150 A			
	100/5 0-100 A 0-100-200 A			
	150/5 0-150 A 0-150-300 A			
	200/5 0-200 A 0-200-400 A			
300/5 0-300 A 0-300-600 A				
500/5 0-500 A 0-500-1000 A				
750/5 0-750 A 0-750-1500 A				
1000/5 0-1000 A 0-1000-2000 A				
1500/5 0-1500 A 0-1500-3000 A				
2000/5 0-2000 A 0-2000-4000 A				
3000/5 0-3000 A 0-3000-6000 A				
AC Voltmeter	For direct connection			
	<ul style="list-style-type: none"> Measuring range Burden:1 VA	1.5		
	0-10 V 0-150 V			
	0-50 V 0-300 V			
	0-75 V 0-500 V			
	0-100 V 0-600 V			
	For connection to PT			
	PT ratio	<ul style="list-style-type: none"> Measuring range PT ratio:Y/110 (Y: PT primary voltage) Measuring range:0-1.5/1.1 x Y	1.5	
	220/110 V 0-300 V			
	440/110 V 0-600 V			
3300/110 V 0-4.5 KV				
6600/110 V 0-9 KV				
13200/110 V 0-18 KV				
22000/110 V 0-30 KV				
30000/110 V 0-45 KV				

Moving Coil Type (LS-110 LS-80)

Meter	Description	class	Safety standard	
DC Ammeter	For direct connection			
	<ul style="list-style-type: none"> Measuring range Internal resistance: 500Ω	1.5		
	0-1 mA 0-20 mA 0-1 A			
	0-1.5 mA 0-40 mA 0-1.5 A			
	0-2 mA 0-50 mA 0-2 A			
	0-3 mA 0-70 mA 0-3 A			
	0-5 mA 0-100 mA 0-5 A			
	0-7.5 mA 0-150 mA 0-7.5 A			
0-10 mA 0-200 mA 0-10 A				



STANDARD

Wide Angle Scale Instrument

	0-15 mA 0-300 mA 0-15 A			CE RU
	0-20 mA 0-500 mA 0-20 A			
	0-30 mA 0-750 mA			
	For connection to shunt •Measuring range 0-1 A 0-15 A 0-7.5 A 0-20 A 0-10 A	Burden : 50 mV	1.5	CE RU
DC Voltmeter	For direct connection •Measuring range 0-10 V 0-150 V 0-30 V 0-300 V 0-50 V 0-500 V 0-75 V 0-600 V 0-100 V	Burden : 1 V/1 KΩ	1.5	CE RU

- For ranges higher than 20A DC, use external shunt with a 50mV DC Ammeter.
- For ranges higher than 300V DC, use external Multiplier with a 1mA Voltmeter.
- For ranges higher than 5AAC, use external Current Transformer with a 5AAC Ammeter.
- For ranges higher than 600VAC, use external potential Transformer with a 150V AC Voltmeter.

Frequency/DC Transducing Type (LS-110 LS-80)

FREQUENCY METER	45-65 110 V 45-65 220 V 55-65 110 V 55-65 220 V	Burden : 1.4 VA at 110 V : 2.6 VA at 220 V	1.5	CE RU
-----------------	--	---	-----	----------

- For any voltage rating higher than above, use an external Potential Transformer with a 110V instrument.

Power/DC Transducing Type (LS-110)

Single-Phase Wattmeter	•Measuring range 110 V 1 A 220 V 5 A 10A		1.5	
3-Phase Wattmeter	•Measuring range 110 V 5 A 220 V		1.5	

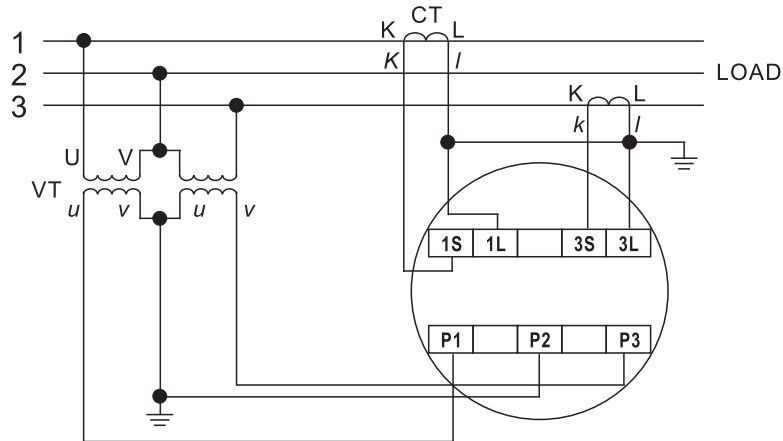
Phase Angle/DC Transducing Type (LS-110)

3-Phase Power Factor Meter (For Balanced Circuit) (LS-110)	•Measuring range 110 V 5 A 220 V		1.5	
3-Phase 4-Wire Power Factor Meter (LS-110)	•Measuring range 110 V/ 5 A 190 V/ 380 V/		5.0	

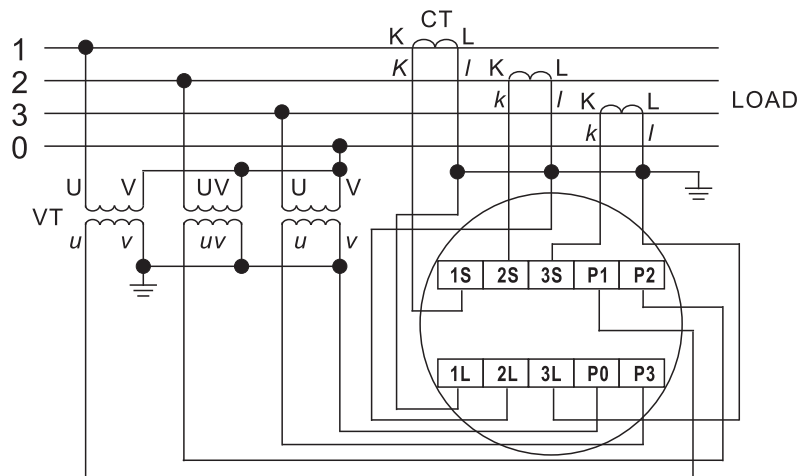
Special Ranges Are Available Upon Request.

Connection diagrams (LS-110)

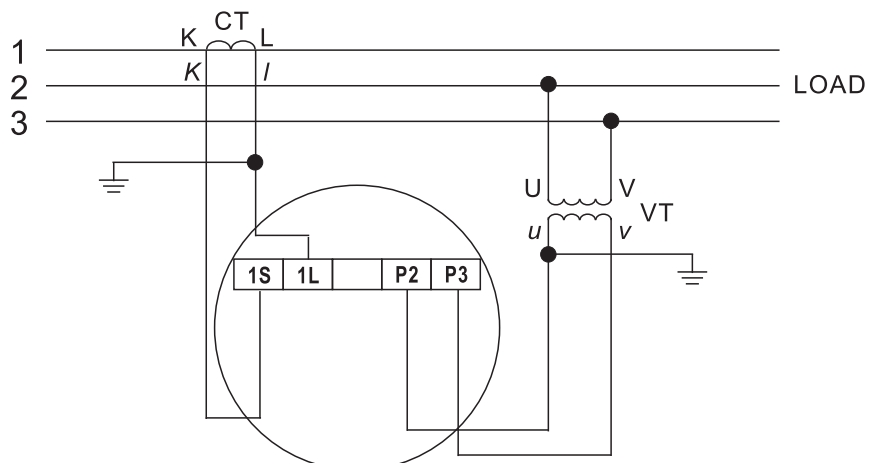
3 phase 3 wire wattmeter
3 phase 3 wire varmeter



3 phase 4 wire wattmeter

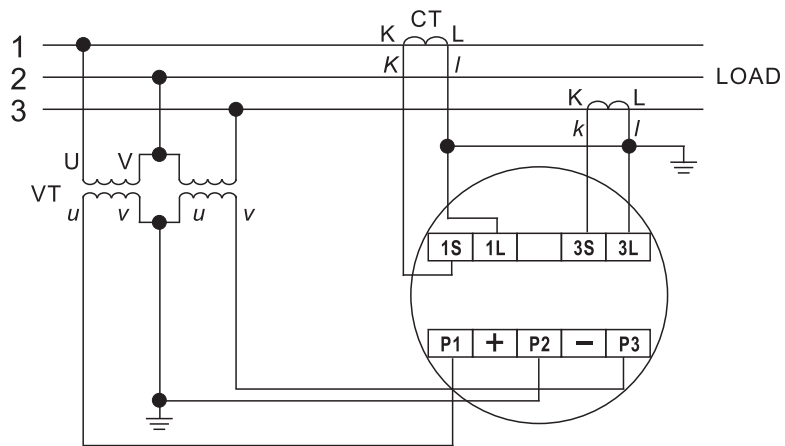


3 phase 3 wire power factor meter

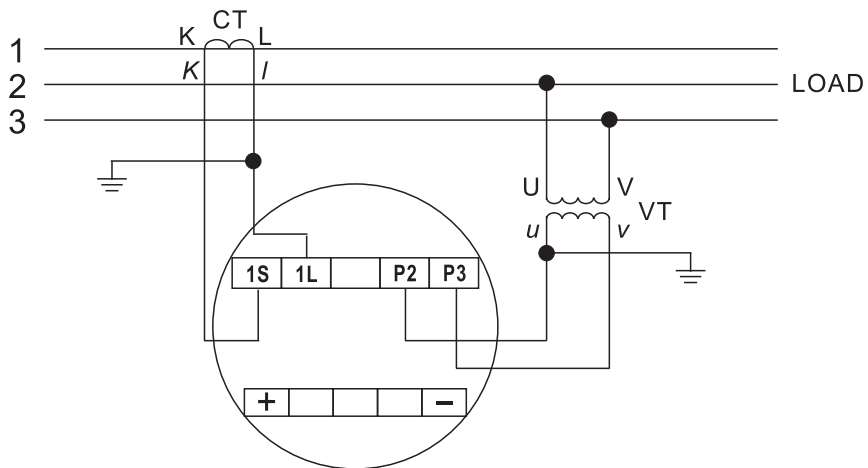


Connection diagrams (LS-80) for transducer

3 phase 3 wire wattmeter
3 phase 3 wire varmeter



3 phase 3 wire power factor meter





STANDARD

Wide Angle Scale Instrument

Mechanical drawing of the transducer

